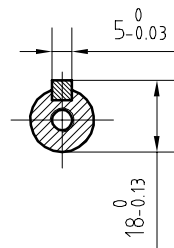
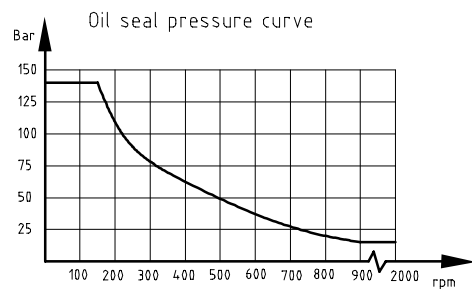
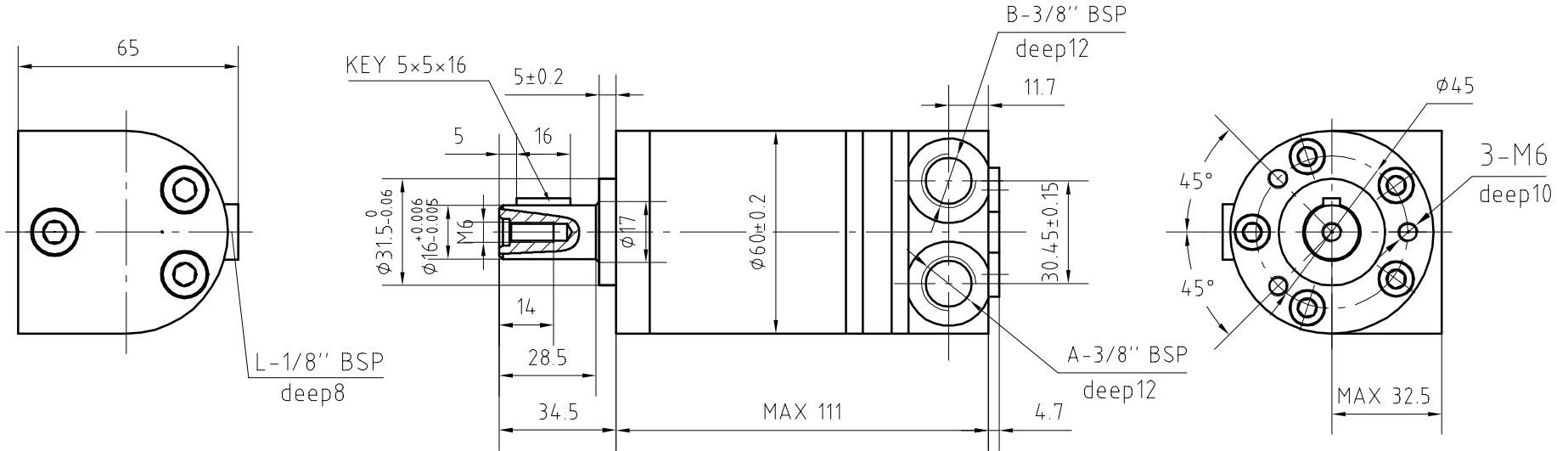
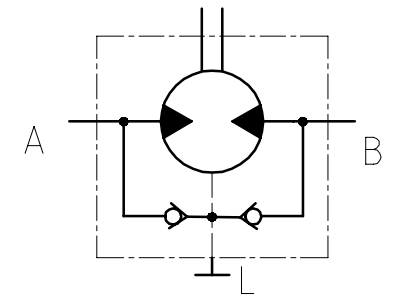


REQUIRED CONTAMINATION CLASS	ISO 4406 class 20/18/15
OPERATING TEMPERATURE RANGE	-20° to +90°C

INLET	DIRECTION
A	RIGHT
B	LEFT



forward products

○ BMM _____ ○
S/N _____

CE

PRESSURE(bar)		
CONTINUOUS	INTERMITTENT	PEAK
100	140	200
Type:Gerotor		

Max allowed back-pressure or drain pressure: 15bar
 Max allowed torque: 25Nm
 Max speed: 1005rpm

PAINTING COLOUR: BLACK
 PAINTING THICKNESS RANGE: 0.04mm-0.06mm
 SHAFT: MAGNESIUM PHOSPHATED

Rev.	Descrizione / Description	Date
	forward products	09.11.2019
Nom.Displacement 20cc/rmp		
FP-MM020-3H-CY16-01		